

Panasonic

AG-DV2500

DV/Mini-DV Recorder



DV Mini **DV**



Versatile and conver



Records and Plays Standard DV and Mini-DV Tapes, and Plays DVCAM Tapes

The AG-DV2500 records and plays both standard DV and Mini-DV cassettes in SP mode, and plays both large and small DVCAM tape cassettes. It can record for up to 276 minutes on a standard DV cassette (AY-DV276MQ).

DV (IEEE1394) Digital Input/Output

The AG-DV2500 is equipped with an IEEE1394-compliant 4-pin DV terminal. This makes a host of operations possible, including synchronized recording with a DV camera-recorder, digital dubbing with a DV recorder, uploading to the PC in a nonlinear editing system, and downloading after editing.

RS-422A Interface

The AG-DV2500 is equipped with a 9-Pin RS-422A interface. This lets you operate the AG-DV2500 using an RS-422A remote controller such as our AJ-A95 or an editing controller such as our AG-A850.

*The AG-DV2500 has no editing functions. Use it as the source machine in an editing system.

High-Quality PCM Audio

Two audio modes are provided: 2-channel (16-bit, 48-kHz sampling) and 4-channel (12-bit, 32-kHz sampling). In 4-channel mode, open channels can be used later to dub in narration or other audio.

Compatible with Both NTSC and PAL

The AG-DV2500 automatically detects and plays DV footage recorded in NTSC or PAL, making it easy to upload footage to a nonlinear editing system. The AG-DV2500 can also record in either NTSC or PAL mode; simply set the switch on the rear panel to the mode desired. Recording onto standard DV and Mini-DV cassettes is possible in both formats.

*Cannot be used as an NTSC/PAL format converter.

*NTSC and PAL signals cannot both be input at the same time.

Wireless Remote Control

The AG-DV2500 is equipped with a multifunctional wireless remote control. In addition to controlling basic operations, the remote can be used to display menus, show the color bar, select audio output, search for blank sections of the tape, and perform other functions.



Search, Jog & Shuttle

The AG-DV2500 can search at up to 9x normal speed for quick time-code cueing. Jog & shuttle searches are also possible using the optional 9-pin AJ-A95 Remote Controller.

Time-Code Recording and Playback

The AG-DV2500 comes equipped with a time code reader and generator.

Index Search, Blank Search

The AG-DV2500 can quickly locate index signals recorded onto the tape and blank sections of tape.

Tower Placement

Save valuable space by using the AG-DV2500 vertically with the stand provided. This saves space in crowded areas around the PC in a nonlinear editing system.

Other Functions

- Analog in/out (Y/C, composite)
- Mic input jack for dubbing in narration
- Internal settings and adjustments can be made via on-screen menu

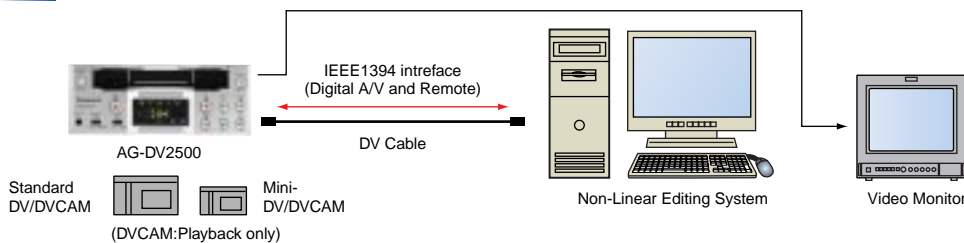


Convenient DV Recorder



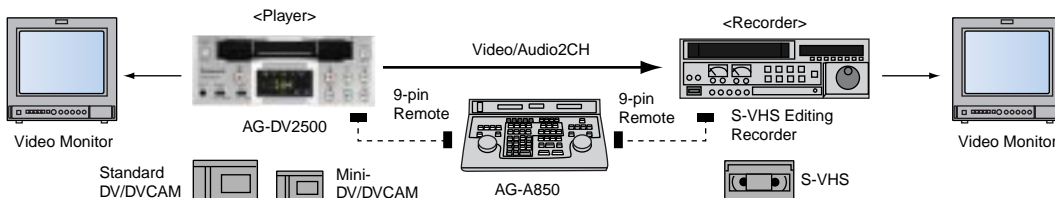
AG-DV2500 Applications

1 DV Non-Linear Edit Feeder



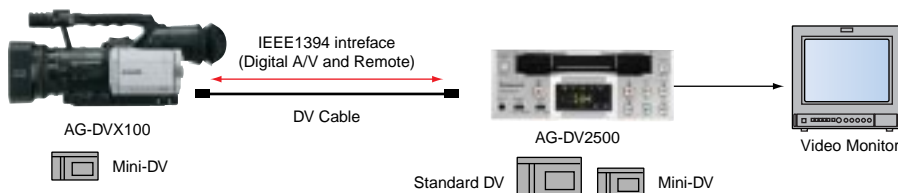
Upload AV data to the non-linear editing system, then download it after editing. The ability to send and receive VTR control signals enables batch processing when capturing footage by simply registering the time code IN/OUT points.

2 Linear Editing System Player



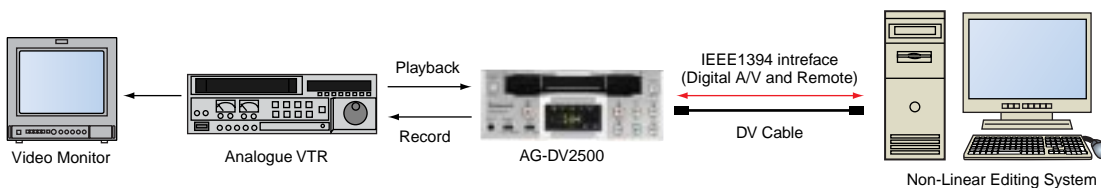
The AG-DV2500 is ideal as the source machine in a linear editing system. Or, combine it with the AG-A850 Editing Controller (with RS-422A remote controller) and the conventional S-VHS Editing Recorder such as AG-DS555 (NTSC) or AG-8700(PAL) to easily configure a cut editing system.

3 DV Camera Digital Back-up(Syncro Lock Function)/Dub Recorder



The AG-DV2500 can be linked to the rec start/stop operation of the Panasonic AG-DVX100 mini-DV camera recorder for back-up or dub recording. Select from the following three linking modes: Link with camera recording, start AG-DV2500 recording as the camera-recorder approaches the end of the tape, or record only with the AG-DV2500.

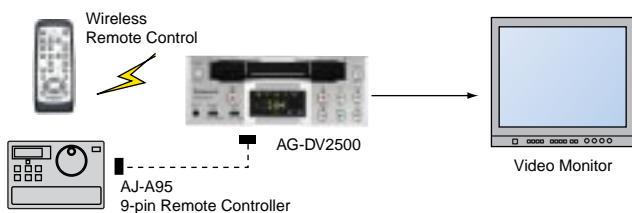
4 A/D, D/A Converter



The AG-DV2500 features analog input/output (YC, composite). You can input an analog signal and convert it to a digital signal, or convert a digital signal to analog. This makes it possible to use the AG-DV2500 as an A/D, D/A converter for applications such as uploading analog material to a non-linear editing system, or sending data from the non-linear editing system to an analog VTR.

5 Office Viewer

Easily preview DV data or check edited tapes. Lightweight at only 2.3 kg(5.1lbs), the AG-DV2500 can easily be carried anywhere for on-the-spot playback.



Standard Accessories



Wireless Remote Control Unit x 1
AC Adaptor x 1
AC Cable x 1(NTSC Area) x 2(PAL Area)
Stand(for vertically placing) x 1

Optional Accessories



AG-A850
(Edit Controller)



AJ-A95
(Remote Controller)



IEEE1394 Interface cable

Recommended DV Tape

Master Series Tape



AY-DV96MQ



AY-DV124MQ



AY-DV186MQ



AY-DV276MQ

Professional Series Tape



AY-DV96PQ



AY-DV124PQ



AY-DV186PQ

Cleaning Tape



AY-DVCLB

Mini-DV Tape

Master Series Tape



AY-DVM63MQ
AY-DVM83MQ

Professional Series Tape



AY-DVM63PQ
AY-DVM83PQ

Cleaning Tape



AY-DVMCLA

Specifications

[General]

Power supply: DC12V
AC100V - 240V, 50/60Hz(w/AC adaptor)

Power Consumption: approx. 14W

Operating Temperature: 5°C - 35°C

Operating Humidity: 30% - 80%

Dimensions(WxHxD): 174 x 68 x 260mm (6-7/8" x 2-11/16" x 10-1/4")

Weight: approx. 2.3Kg (5.1 lbs)(Main unit only)

[VTR]

Video Signal: 525i / 625i,
Rec : Switchable, Playback : Automatically detect

Recording Format: DV Format (SP mode only)

Usable Tape: Standard DV / MiniDV

Playback Format: DV(SP mode only), DVCAM

Tape Speed: 18.812mm/sec.(NTSC), 18.831mm/sec.(PAL)

Rec/Playback Time: 276 min (with AY-DV276MQ)

[Video]

Sampling Frequency: Y : 13.5MHz 4:1:1 (NTSC)/4:2:0(PAL)

Quantizing: 8bits

[Audio]

Sampling Frequency: 48kHz / 32kHz

Quantizing: 16bits / 12bits

[Connectors]

Video Input: Phono x 1, analogue composite

S-Video Input: DIN 4pin x 1

Audio Input: Phono x 2 (CH1,CH2)

Microphone Input: M3 x 1

Video Output: Phono x 1, analogue composite

S-Video Output: DIN 4pin x 1

Audio Output: Phono x 2 (CH1,CH2)

DV In/Out: IEEE1394 (4pin) x 1

Remote: RS-422A (D-sub 9pin x 1)

[Standard Accessories]

*AC Adaptor x 1

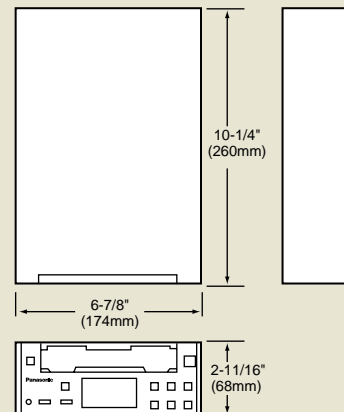
*AC Cable x 1(NTSC Area) x 2(PAL Area)

*Wireless Remote Control Unit x 1

*Stand(for vertically placing) x 1

**AA* Battery x2

Dimensions



Panasonic

Matsushita Electric Industrial Co., Ltd.
Systems Business Group
2-15 Matsuba-cho, Kadoma, Osaka 571-8503
Japan
Tel. 81-6-6905-4650 Fax. 81-6-6908-5969
<http://panasonic.co.biz/sav>

[Countries and Regions]

Argentina Tel. 54-1-308-1610
Australia Tel. 61-2-9887-6222
Austria Tel. 43-1-61080-773
Bahrain Tel. 973-252292
Belgium Tel. 32-2-481-0481
Brazil Tel. 55-11-3889-4035
Canada Tel. 1-905-624-5010
China Tel. 86-10-6515-8828
(Hong Kong Tel. 852-2313-0888)
Czech Republic Tel. 42-02-2166-4120
Denmark Tel. 45-43-200-853
Egypt Tel. 20-2-3938151
Finland Tel. 358-9-521-5253
France Tel. 33-149464388
Germany Tel. 49-611-18160
Greece Tel. 30-1-969-2300
Hungary Tel. 36-1-382-6060
Indonesia Tel. 62-21-801-5666
62-21-385-9449
Iran Tel. 98-21-2271463
Italy Tel. 39-02-67881

Jordan Tel. 961-6-586-1914
Korea Tel. 82-2-6670-5160
Kuwait Tel. 965-481-2123
Lebanon Tel. 961-1-216827
Malaysia Tel. 60-3-5549-5422
Mexico Tel. 52-5-488-1000
Netherlands Tel. 31-73-640-2721
New Zealand Tel. 64-9-272-0100
Norway Tel. 47-22916800
Pakistan Tel. 92-21-455-5766
Panama Tel. 507-229-2955
Peru Tel. 51-145-29470
Philippines Tel. 63-2-633-6162
Poland Tel. 48-3912-3173
Portugal Tel. 351-21-424-8630
Puerto Rico Tel. 1-787-750-4300
Russia Tel. 7-095-258-4237
Saudi Arabia Tel. 966-1-465-0709
Singapore Tel. 65-6270-0110
Slovakia Tel. 421-7-5292-1423
South Africa Tel. 27-11-313-1400

Spain Tel. 34-93-425-9300
Sweden Tel. 46-8-680-8238
Switzerland Tel. 41-41-259-9632
Taiwan Tel. 886-2-2725-9100
Thailand Tel. 66-2-731-8888
Turkey Tel. 90-216-416-0150
U.A.E. Tel. 971-4-282201
U.K. Tel. 44-118-902-9210
U.S.A. Tel. 1-201-348-5300



JQA-0443



SP-DV2500PE1



10k302AM-1 Printed in Japan